

lifting shoe | 2.5t



safety lifting equipment

owners manual
operators instructions
spare parts list
safety precautions
maintenance

DAWSON CONSTRUCTION PLANT LTD.
CHESNEY WOLD,
BLEAK HALL
MILTON KEYNES
MK6 1NE, ENGLAND
TEL: +44 (0) 1908 240300
FAX: +44 (0) 1908 240222
EMAIL: JON@DCPUK.COM



Dawson Construction Plant Ltd
Chesney Wold.
Bleak Hall,
Milton Keynes,
MK6 1NE, England
Tel: +44 (0) 1908 240300
Fax: +44 (0) 1908 240222

www.dcpuk.com

table of contents

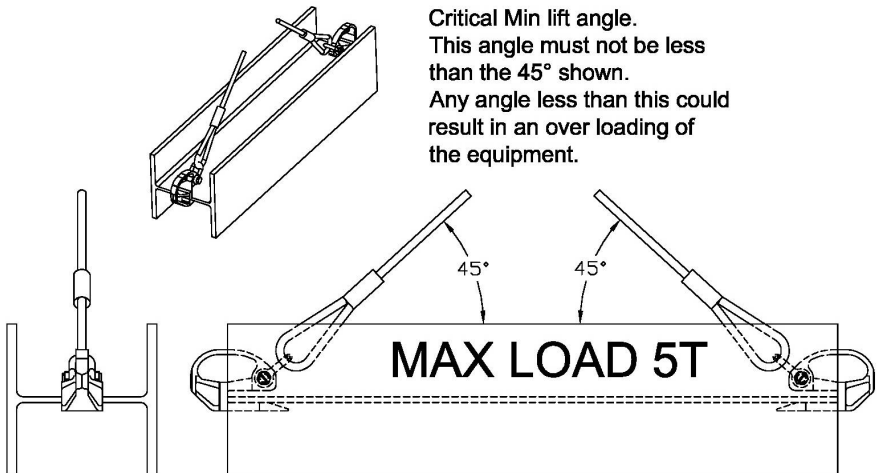
Contacts	3
Table of Contents	4
Safety Checklist	5
Training	6
Maintenance	6
Parts list	7
900 Lifting Shoe pipe handling	8
SHS-908 Pipe handling correct method	9
Examples of correct and incorrect lifting	10-14
Under Separate cover:	
· Individual Test Certificate	
· Pre-Despatch Examination Certificate if test certificate is older than 6 months old.	
· E.C. Declaration of Conformity	

safety check list

1. PRE-INSTALLATION CHECKS

Prior to installing a Lifting Shoe, check the following:-

- a. Establish the weight of the lift involved and ensure a shackle with appropriate Safe Working Load is being utilised.
- b. The Safe Working Load rating of any Shackle or Shoe is based on a “best condition”. For uneven leg loading on slings, dynamic loading during the lift or any other factor that increases component loading, the SWL of the equipment should be de-rated accordingly.
2. Do not modify the Lifting Shoe or any part of the lifting apparatus.
3. The angle between the two legs of the lifting strap, where applicable should not exceed 90°.



4. Ensure that all appropriate laws, bye-laws and regulations are complied with.
5. Ensure the area of pile that the lifting shoe is in contact with is in good condition, i.e. smooth and with no obstructions.
6. As with all lifting equipment, the lifting shoe should be inspected before each lift.

training

Before allowing operators to use the Lifting Shoe, it is important to ensure they have received basic training in lifting and control of heavy loads.

It is strongly recommended that the following areas are included:

1. Basic safety in lifting operations
2. Supervision during lifting operations
3. Dangers and mal-practices

maintenance

The lifting accessory is manufactured from high quality material and designed to offer long service with a minimum of maintenance.

In order to preserve the product in this state, it is necessary to ensure that it is not mis-used or used for purposes outside its recommended use and to carry out regular inspection.

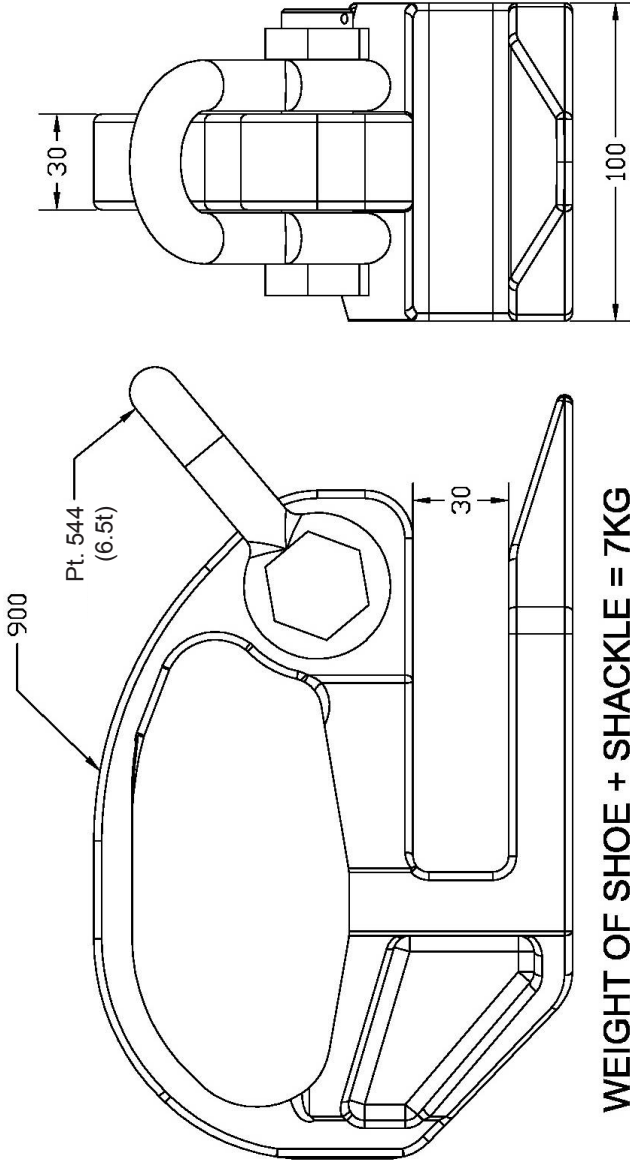
Regular checking that the product has not been distorted due to overload and the lifting shoe is not showing a reduction in any section due to wear of more than 5%. These checks should be performed by a competent person.

If in any doubt return the item to the manufacturer immediately for a thorough inspection.

Each unit is issued with a test certificate guaranteeing performance.

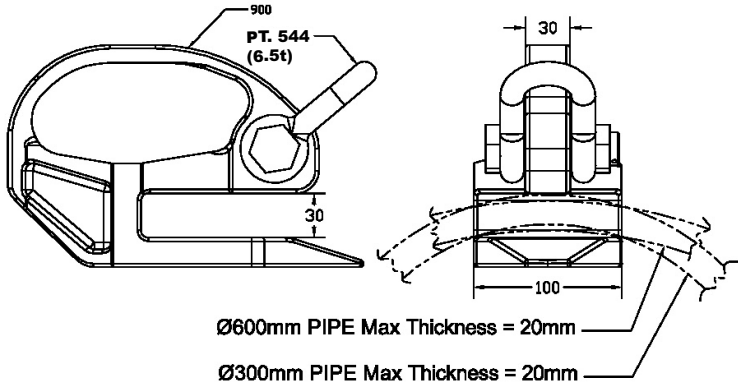
If the lifting Shoe is modified in any way the test certificate is no longer valid.



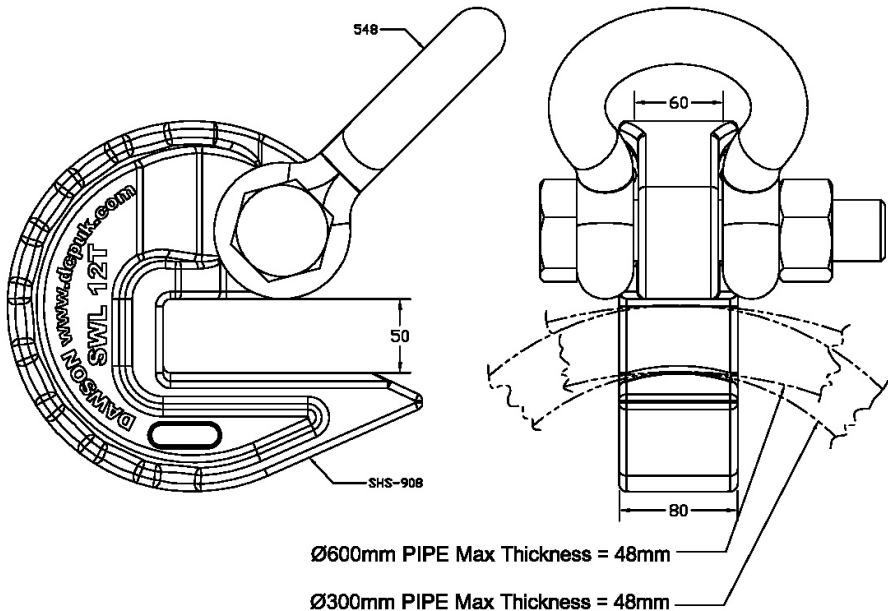


900 Lifting Shoe pipe handling

The 900 Lifting Shoe can be used for lifting steel pipe but the size and capacity that can be handled is limited.



Lifting pipe using the SHS-908 Steel Pipe Shoe increases the range of steel pipe that can be handled and also the capacity



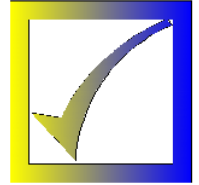
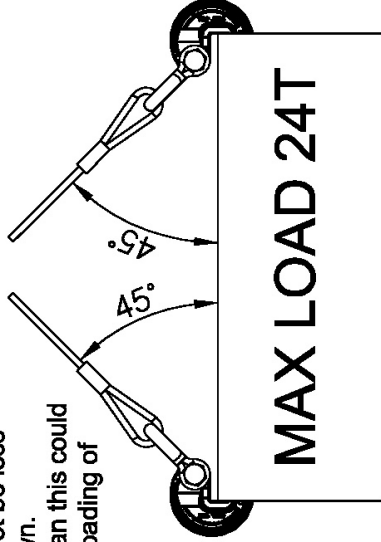
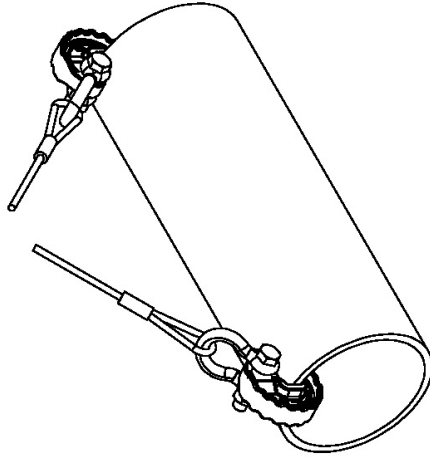
SHS-go8 Pipe handling correct method

Correct Method of Lifting Steel Pipe Using SHS-908 Handling Shoe

Critical Min lift angle.

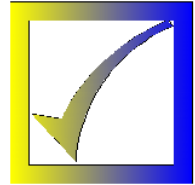
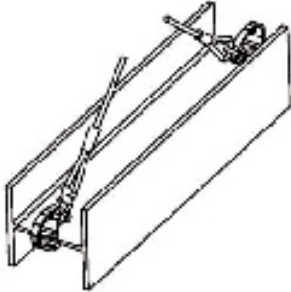
This angle must not be less than the 45° shown.

Any angle less than this could result in an over loading of the equipment.



Examples of correct and incorrect lifting

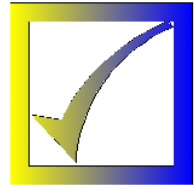
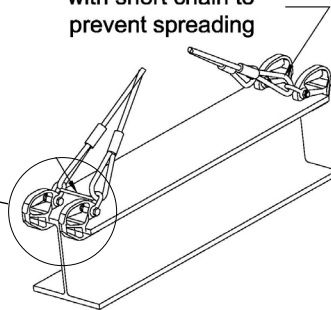
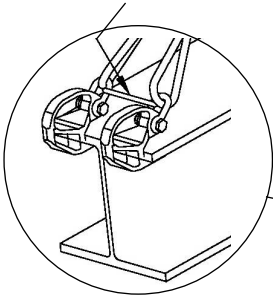
This is the correct method for lifting H Section beams with one pair of 900 shoes.



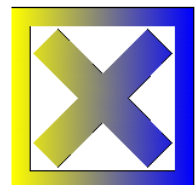
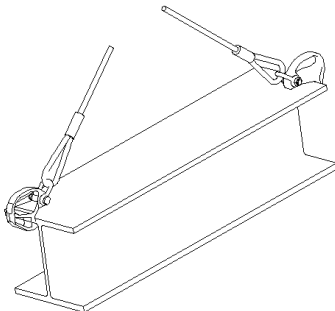
This is the correct method for lifting H Section beams with two pairs of 900 shoes. A short chain should also be connected between the pairs of shoes to prevent them from spreading as shown in the diagram below.

**Connect shoes
with short chain to
prevent spreading**

**Connect shoes
with short chain to
prevent spreading**

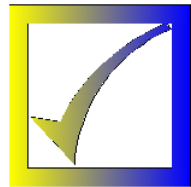
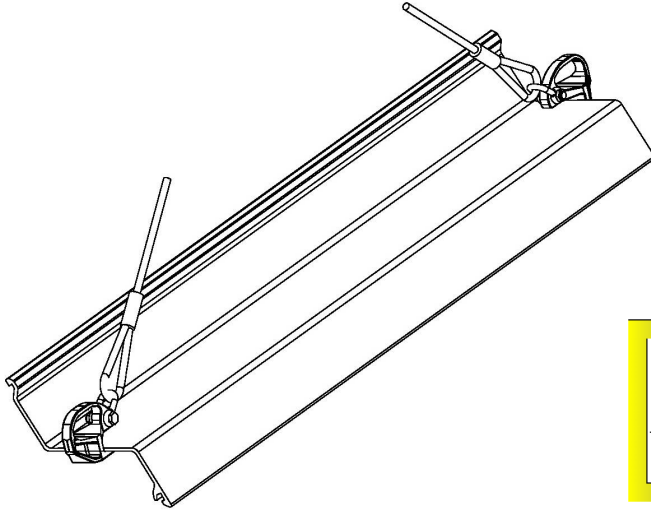


This is the incorrect method for lifting H Section beams with one pair of 900 shoes.

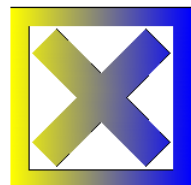
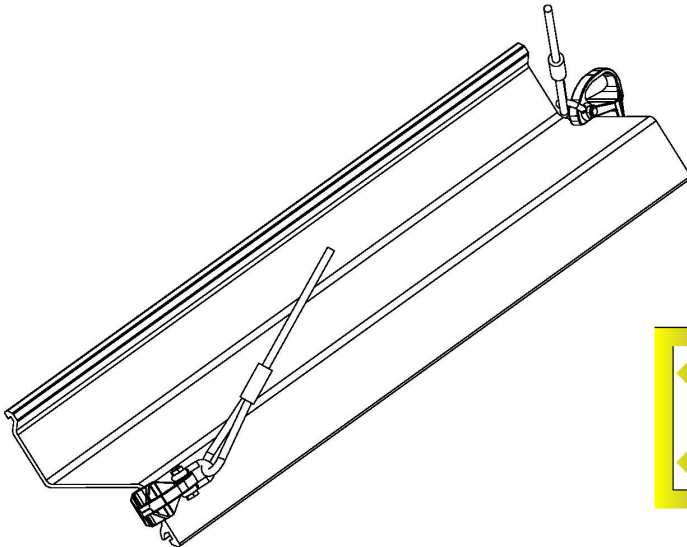


Examples of correct and incorrect lifting

This is the correct method for lifting a single Froddingham pile with one pair of 900 shoes.

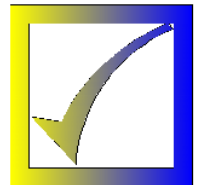
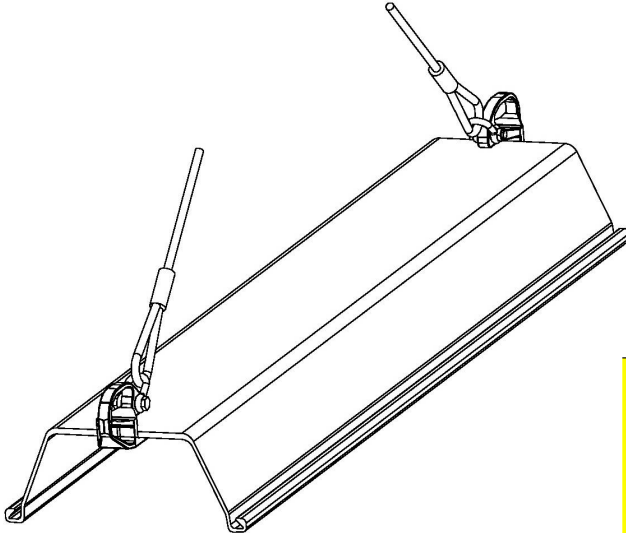


This is the incorrect method for lifting a single Froddingham pile with one pair of 900 shoes.

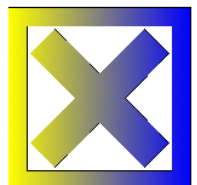
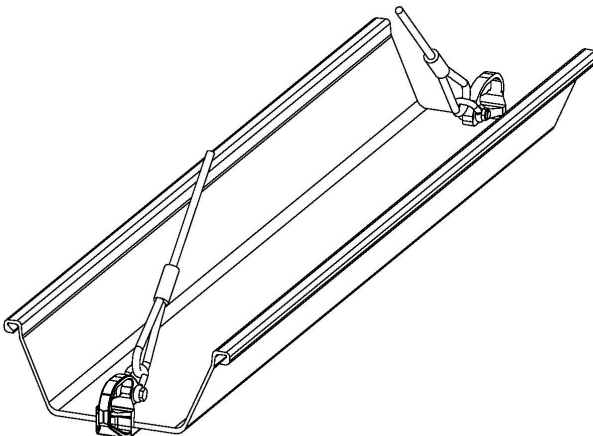


Examples of correct and incorrect lifting

This is the correct method for lifting a LX pile with one pair of 900 shoes.

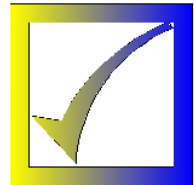
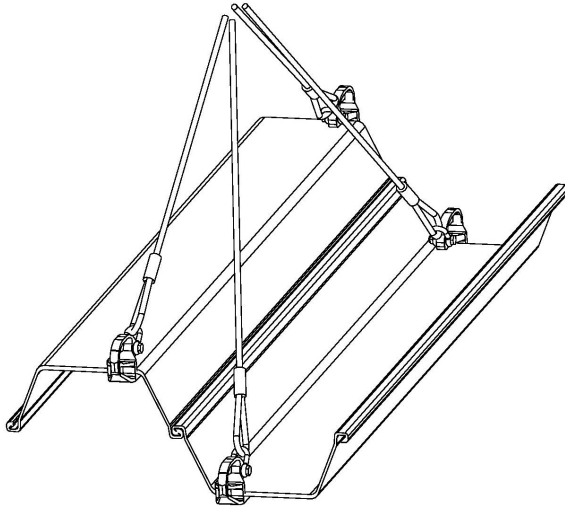


This is the incorrect method for lifting a LX pile with one pair of 900 shoes.

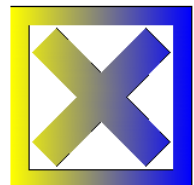
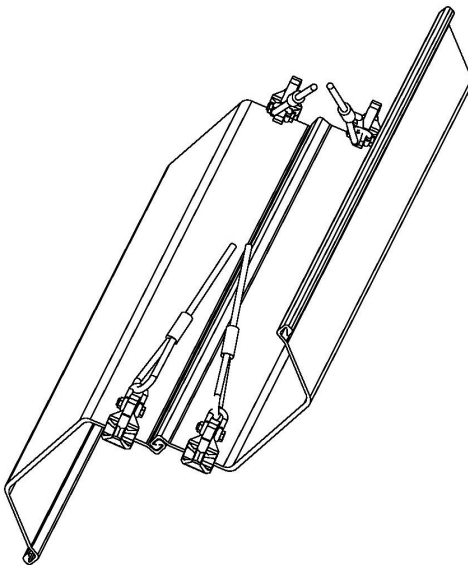


Examples of correct and incorrect lifting

This is the correct method for lifting a pair of LX piles with two pairs of 900 shoes. Note the pairs of slings are of different lengths to ensure the piles are lifted uniformly.

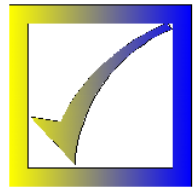
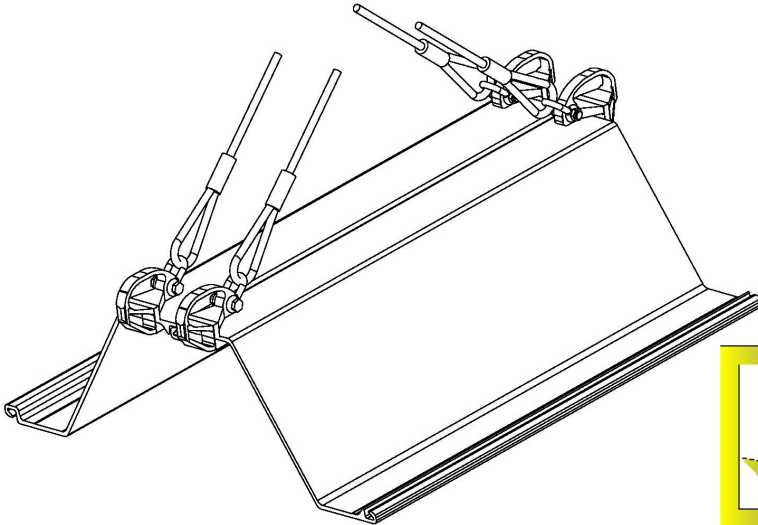


This is the incorrect method for lifting a pair of LX piles with two pairs of 900 shoes.

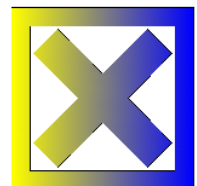
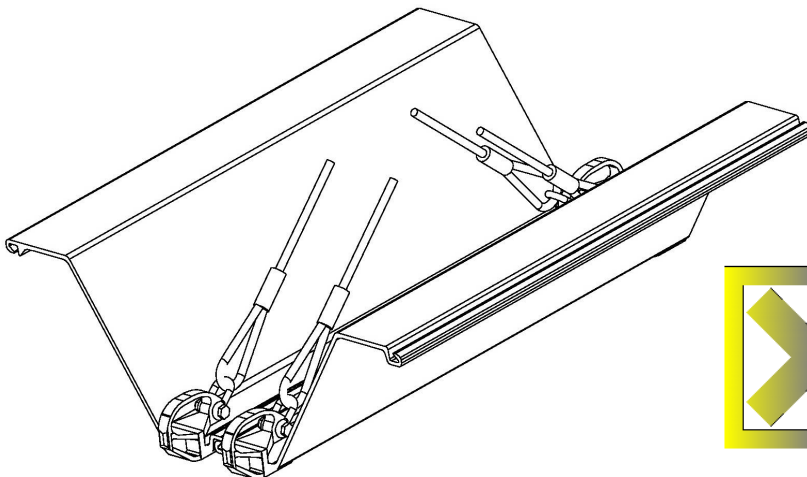


Examples of correct and incorrect lifting

This is the correct method for lifting a pair of AZ piles with two pairs of 900 shoes.



This is the incorrect method for lifting a pair of AZ piles with two pairs of 900 shoes.





D.C.P. RESERVES THE RIGHT TO DISCONTINUE EQUIPMENT AT ANY TIME, OR CHANGE SPECIFICATIONS OR DESIGNS WITHOUT NOTICE OR INCURRING OBLIGATIONS

INNOVATIVE PILING EQUIPMENT

HYDRAULIC PILING HAMMERS

EXCAVATOR MOUNTED VIBRATORS

EXCAVATOR MOUNTED DRILLS

QUIET, VIBRATIONLESS PUSH-PULL PILING

PILE EXTRACTION

SHEET PILE GUIDE FRAMES

SHEET PILE CAPPING SYSTEMS

CFA CLEANERS

PILE POINTS & SPLICERS

SAFETY HANDLING / LIFTING EQUIPMENT

SHEET PILE THREADERS

CHAIN CLAMPS

lifting shoe

2.5t

DAWSON CONSTRUCTION PLANT LTD.
CHESNEY WOLD,
BLEAK HALL
MILTON KEYNES
MK6 1NE, ENGLAND
TEL: +44 (0) 1908 240300
FAX: +44 (0) 1908 240222
EMAIL: JON@DCPUK.COM

