



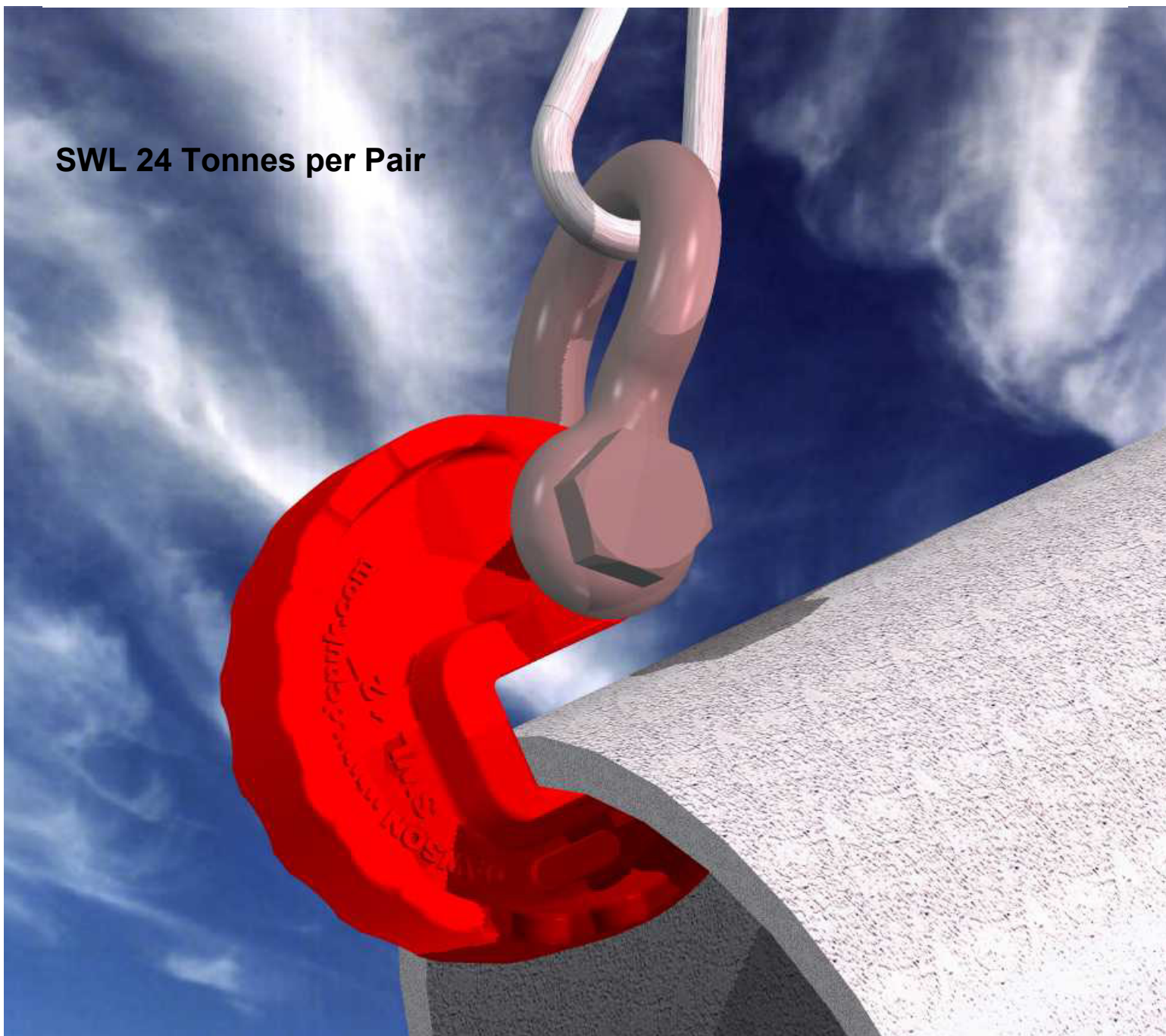
DAWSON

Pipe Lifting Shoe

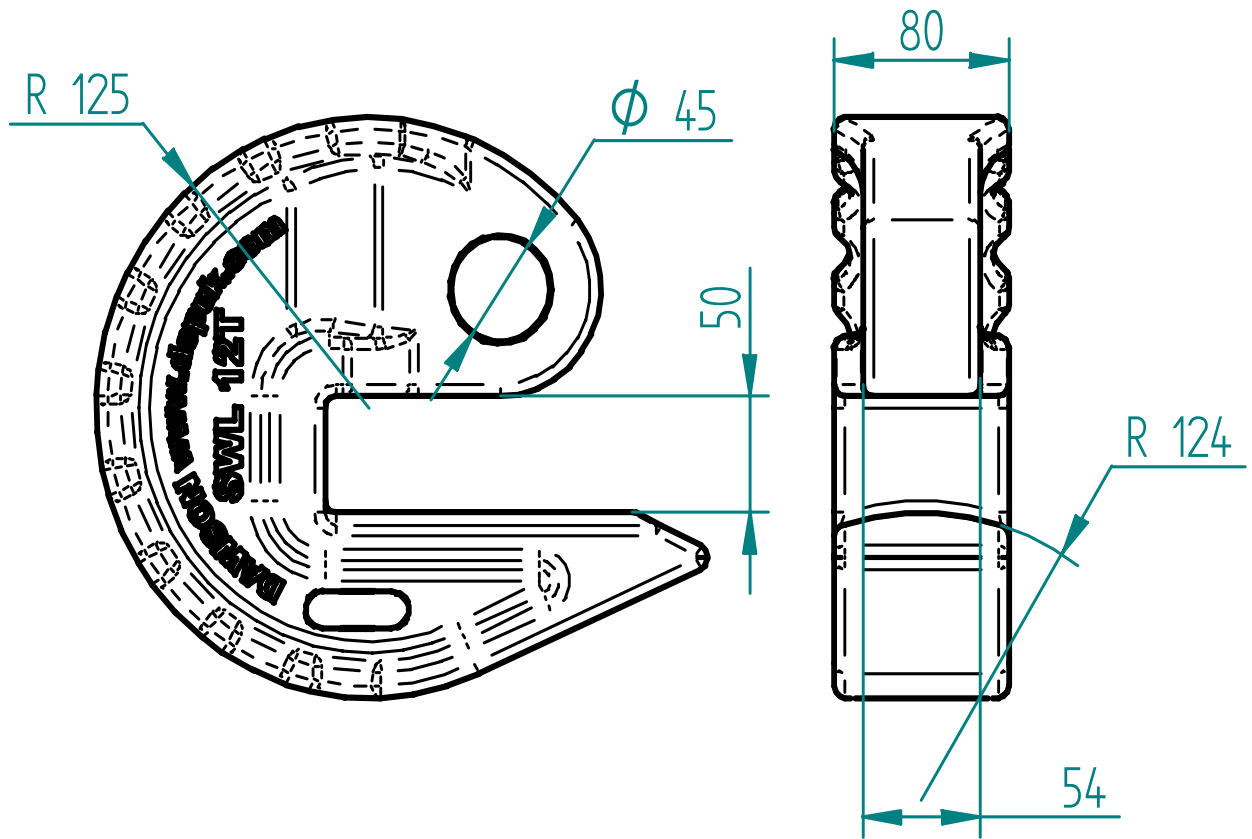
12 Tonne

The 12 tonne pipe lifting shoes are made from a high grade cast steel allowing weight reduction to be made in the design. Total weight of shoe and shackle is now only 24Kg. New features include a radial profile engagement face and all round grip handling ridges.

SWL 24 Tonnes per Pair



Overall Dimensions in mm



Dawson Construction Plant Ltd

Chesney Wold, Bleak Hall, Milton Keynes MK6 1NE, ENGLAND

Tel: (+44) 1908 240300 Fax: (+44) 1908 240222

E-Mail: dawson@dcpuk.com Website: www.dcpuk.com