



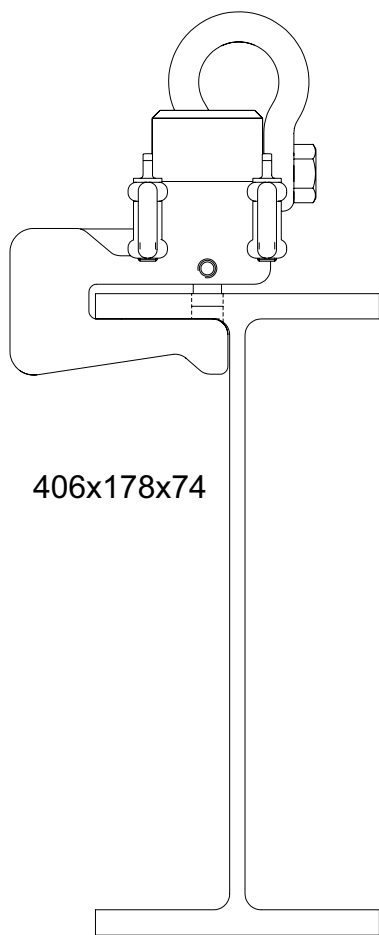
DAWSON RATCHET RELEASE BEAM SHACKLE

*The Ratchet Release Beam Shackle is designed to enable steel beams to be lifted into position, and for the shackle to be disconnected safely and efficiently from a **remote position**. Achieving this result makes the work **faster, more economical** and **safer**.*

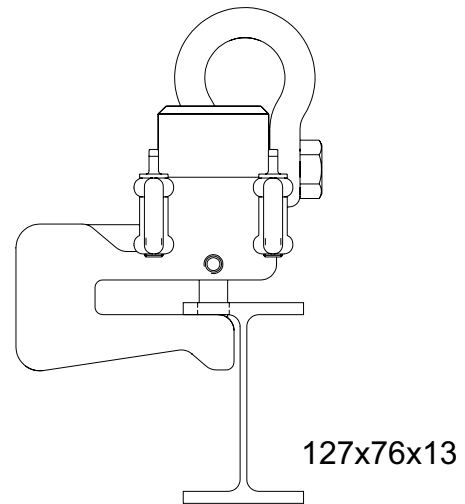
SWL 3.0 Tonnes



What Beam Size?

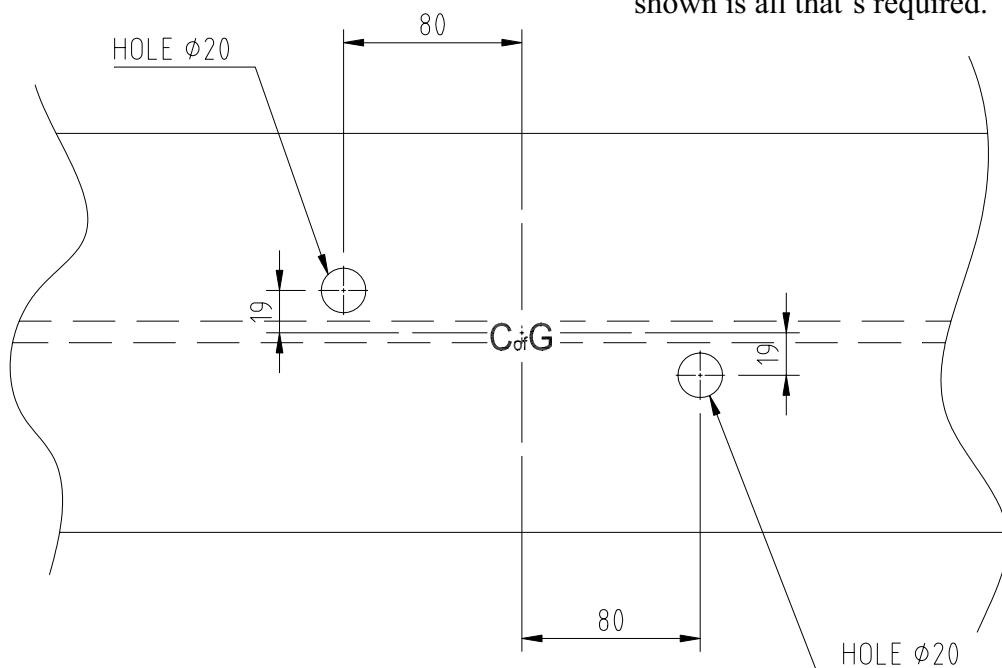


Through To



Hole Position

One hole of $\varnothing 20$ mm in the top flange, positioned in either of the two places shown is all that's required.



Dawson Construction Plant Ltd

Chesney Wold, Bleak Hall, Milton Keynes MK6 1NE, ENGLAND

Tel: (+44) 1908 240300 Fax: (+44) 1908 240222

E-Mail: dawson@dcpuk.com Website: www.dcpuk.com

Rrbeams01