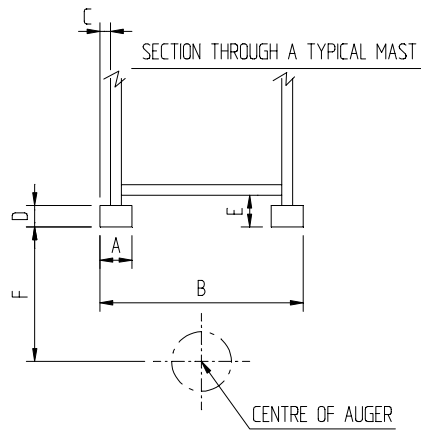
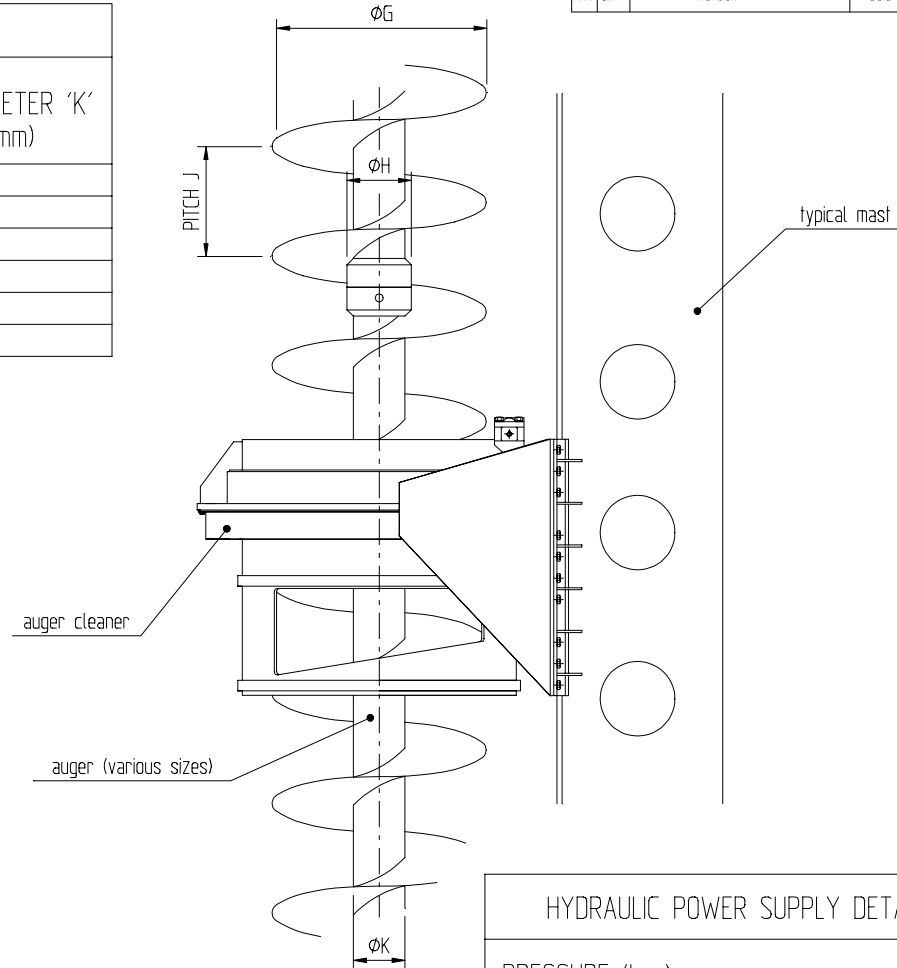


AUGER DETAILS			
DIAMETERS 'G' (mm)	DIAMETER 'H' (mm)	PITCH 'J' (mm)	DIAMETER 'K' (mm)




MAST DETAILS	
MAST TYPE -	_____
DIMENSIONS - A (mm)	_____
B (mm)	_____
C (mm)	_____
D (mm)	_____
E (mm)	_____
F (mm)	_____



COMPLETE THE DETAILS IN THE THREE BOXES AND FAX BACK TO +44 (0)1908 240222

HYDRAULIC POWER SUPPLY DETAILS	
PRESSURE (bar)	_____
OIL FLOW RATE (l/min)	_____

Ref no	Qty	Revision	Date	Intro	Appr by

Ref.no	Qty	Part name			Material	Dimension	Remark	
Design by MLEE	Drawn at	Copied	Checked	Standard A3	Affirmed	Scale 1 : 20	Replace	Replaced by
 DAWSON CONSTRUCTION PLANT LTD.							File name	Date 22-11-91
							AUGER CLEANER INITIAL ENQUIRY FORM	