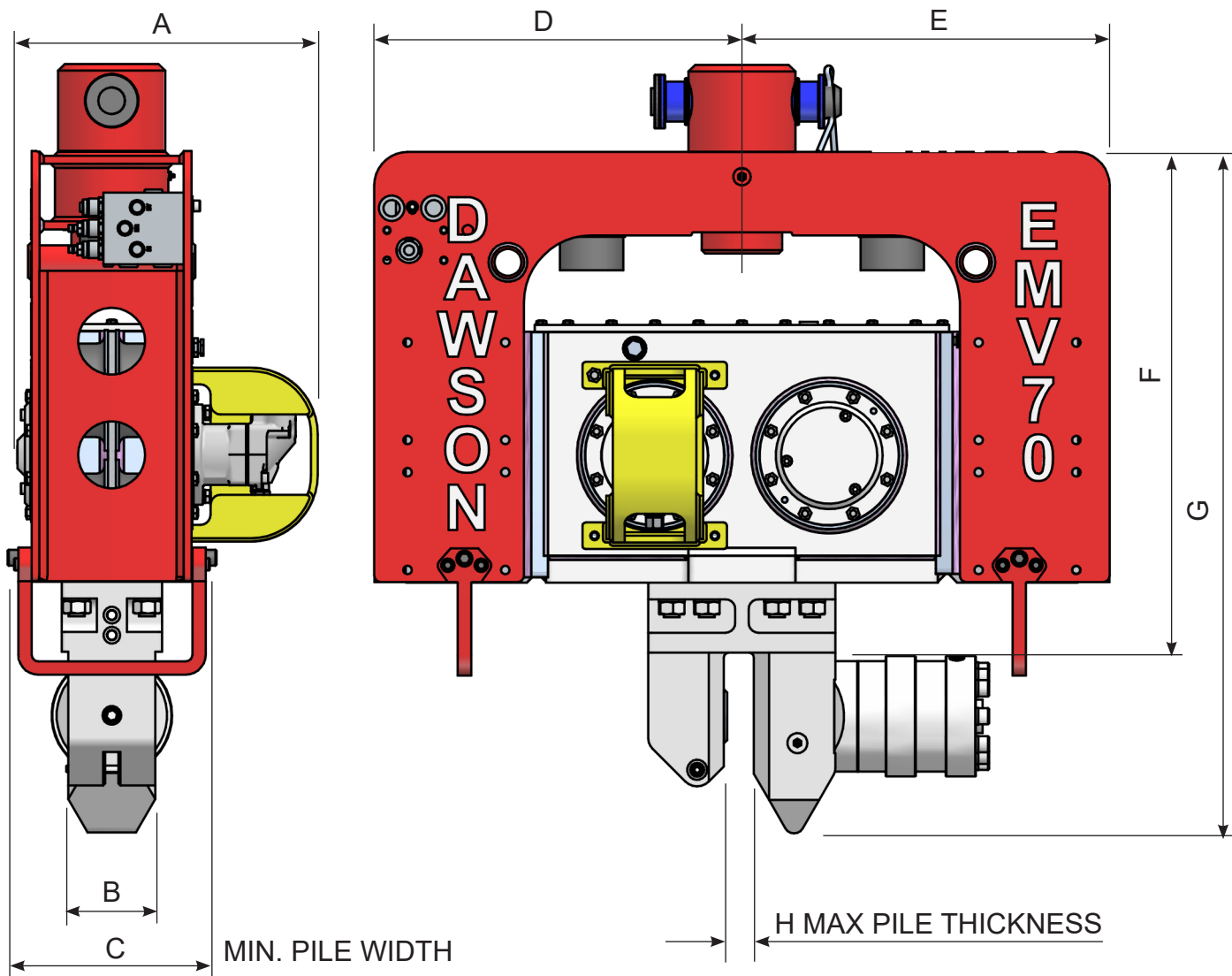


# EMV110 EXCAVATOR MOUNTED VIBRATOR BASIC TECHNICAL SPECIFICATIONS

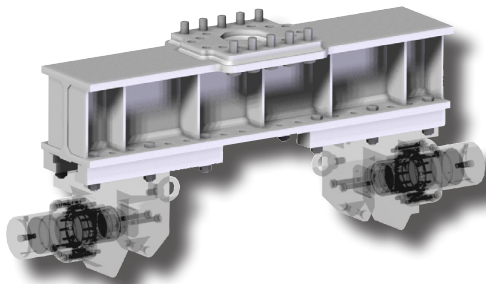
**NEW**

SPECIFICATIONS	EMV110	
	METRIC	US
UNITS	METRIC	US
STATIC MOMENT	1.1 kgm	96 in lbs
FREQUENCY	50 Hz - 3,000 rpm	
CENTRIFUGAL FORCE	110 KN	25,118 lbs.F
AMPLITUDE	6 mm	0.15 in
REQUIRED HYDRAULIC FLOW RATE *	57 L/min	15 gpm
MIN. HYDRAULIC PRESSURE	240 bar	3,480 psi
MAX. HYDRAULIC PRESSURE	350 bar	5,076 psi
MIN. HYDRAULIC POWER	22.8 kW	30.6 hp
DYNAMIC MASS	360 kg	794 lbs
TOTAL MASS	622 kg	1,368 lbs
MAX. PILE MASS	800 kg	1,760 lbs
MAX. PUSH/PULL FORCE	2,800 kg	6,171 lbs
CLAMP FORCE	26.5 tonne	
TYPICAL EXCAVATOR WEIGHT	5 - 18 tonne	5.5 - 20 ton

\*REQUIRED FLOW = MAX. FREQUENCY.  
MACHINE HAS INTEGRAL FLOW REGULATOR UP TO 250 L/min.



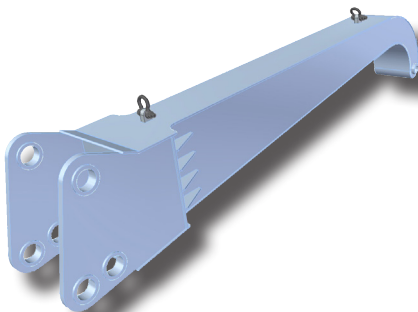
DIMENSIONS	A	B	C	D	E	F	G	H
mm	478	130	275	550	550	824	1094	40
in	18.8	5.1	10.8	21.6	21.6	32.5	43	1.5



## CAISSON BEAM

Caisson beam jaw assemblies can be positioned to suit any tube size between Ø300 I.D & Ø1100 mm O.D.

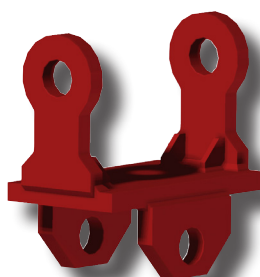
Part Number	Caisson Beam Assembly
4900	



## SWAN NECK

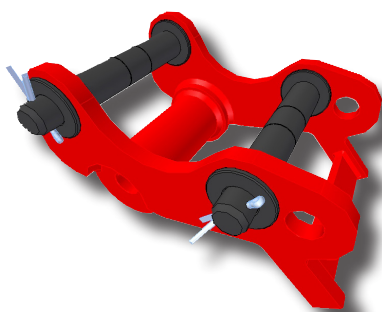
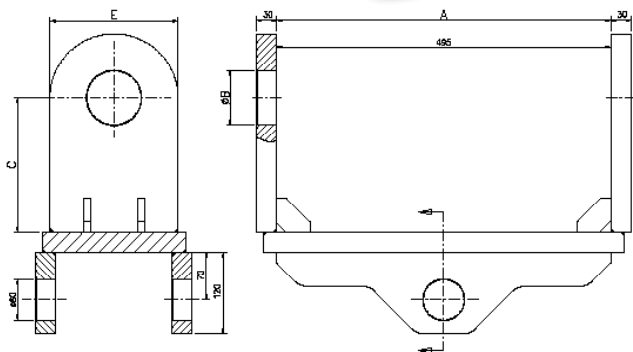
For extended reach and greater pile clearance on your excavator arm, enabling longer piles to be driven.

Part Number	Swan Neck
SN01-000-01	



## ADAPTOR BRACKETS

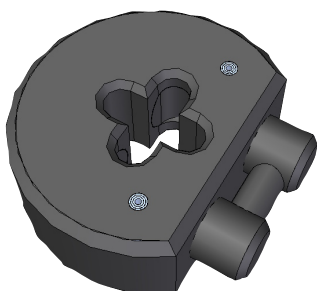
Part Number	Dimensions - mm				Dipper Pin Part Number
	A	B	C	D	
4063	340	60	175	140	4089
4063A	495	80	200	190	4089A
4063C	458	89.5	225	190	4089C
4063D	410	60	200	190	4089D
4063E	458	60	225	190	4089E
4063F	495	63.75	200	190	4089F
4063M	458	63.75	225	190	4089M
4063R	495	69.85	225	190	4089R



## QUICK HITCH ADAPTOR

When an excavator has a guide hitch fitted and a double acting breaker to supply the EMV, the quick hitch adaptor bracket supplies fast, easy connection to the end equipment while maintaining the same degree of movement.

Part Number	Quick Hitch Adaptor
4586	



## CHAIN CLAMP

For all lifting applications. The unit indexes along the links of the chain and locks into place giving a quick and simple chain lock for lifting.

### Features

- SWL of 2000 kg for the 8 mm chain clamp  
3200 kg for the 10 mm chain clamp  
8000 kg for the 16 mm chain clamp
- Robust high strength steel body
- Designed to withstand vibration - no screws or bolts!
- Minimal parts for durability
- Proof loading to twice the safe working load
- Quick coupling and release from load

Part Number	Chain Type	Safe Working Load
4130	16 mm	8 tonnes
TLR 360	10 mm	3.2 tonnes
4082	8 mm	2 tonnes